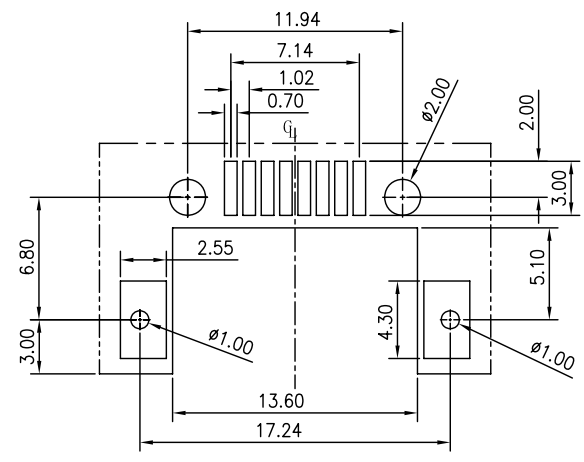
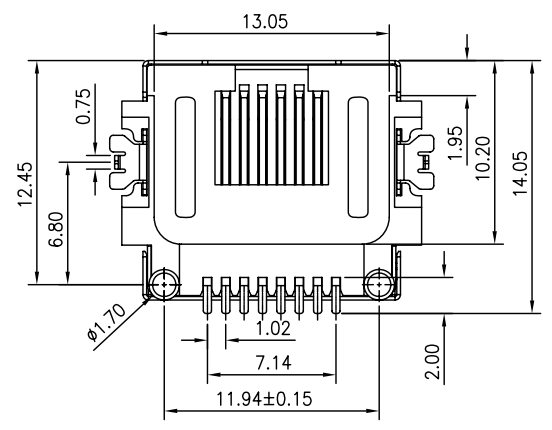
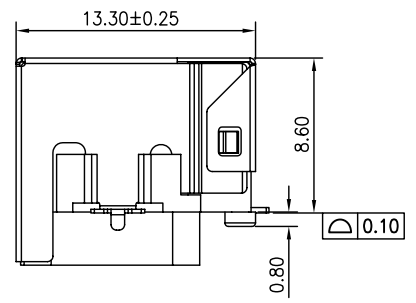
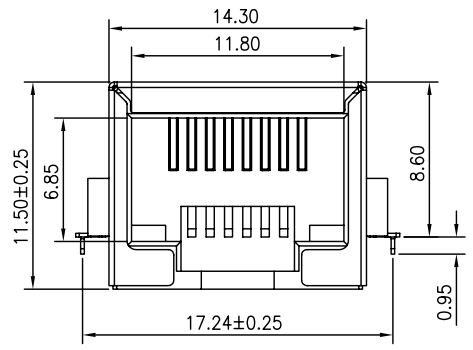


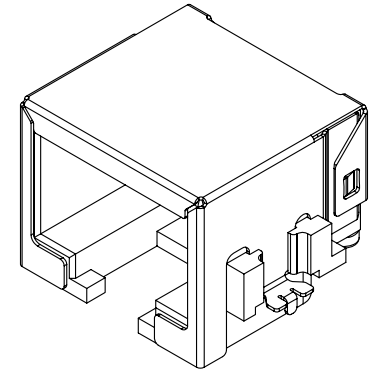
RoHS

Mark	ECN NO.	DESCRIPTION	DESIGN	Date:
A	—	New	—	—



PCBLAYOUT TOP VIEW  
TOL ±0.05

- NOTE:
- MATERIAL:
    - HOUSING: LCP UL94V-0 BLACK
    - CONTACT: COPPER ALLOY(C5191)
    - SHELL: COPPER ALLOY(C2680)
  - FINISH:
    - CONTACT: G.F Plated Over All;  
NICKEL 50u" UNDERPLATING OVER All.
    - SHELL: NICKEL PLATING OVERALL



Tolerance X.X ±0.30 X.XX ±0.25 X.XXX ±0.15 Angle ±2.0°	Model Name: RJ45 8P8C 沉板式 SMT 无灯无弹 反向 载带包装				Drawing: PYP
	Model No: WLRS-057D				Checked: Lijian
	UNIT:	SCALE:	REVISION:	SHEET	Approved: Lijian
	mm	Full	A	1/1	Date: 2016.03.09
	WLCO <sup>®</sup> 深圳市兴万联电子有限公司 SHENZHEN XINGWANLIAN TECHNOLOGY CO.,LTD				DWG NO.
					FILE: C