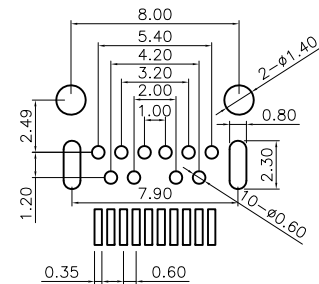
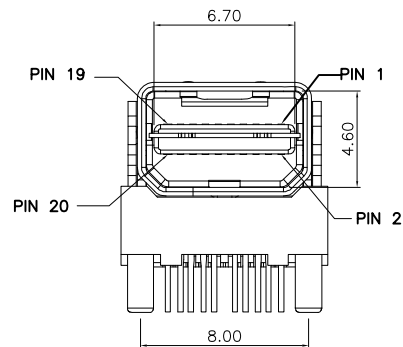
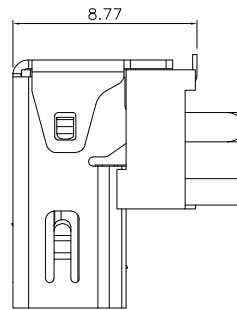
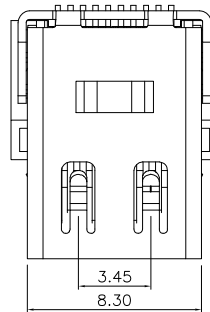
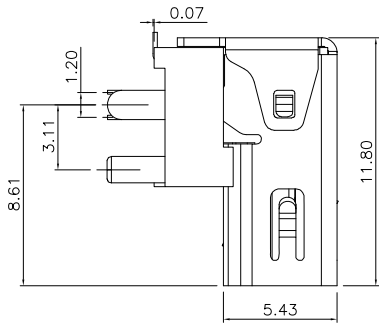
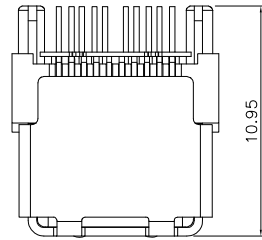


RoHS

Mark	ECN NO.	DESCRIPTION	DESIGN	Date:
A		NEW		

NOTE:

1. Material:
  - Housing: High Thermoplastics,UL94V-0; Color: Black
  - Contact: Copper Alloy
  - Shell: Copper Alloy
  - Spring: SUS
2. FINISH:
  - Contact: Au Plated on Contact Area,  
Matte Tin Plated on Solder Tails,  
Nickel Underplating Over All.
  - Shell: Nickel Underplating Over All.
3. Specification:
  - 3.1: Electrical:
    - Contact Current Rating: 0.5A
    - Insulation Resistance: 100MΩ Min.
    - Contact Resistance: 30 mΩ Max.
    - Dielectric Withstanding Voltage: 500V/AC 1Minute
  - 3.2 Mechanical:
    - Durability: 10.000 Cycles.



P.C.B LAYOUT

Tolerance X.X ±0.30 X.XX ±0.25 X.XXX ±0.15 Angle ±2.0°	Model Name: Mini DISPLAY PORT 标准型母座				Drawing: PYP	
	Model No: WLDP-005A				Checked: YSX	
	UNIT:	SCALE:	REVISION:	SHEET	Approved: Lijian	
	mm	FULL	A	1/1	Date: 2016.06.17	
	<b>WLCO</b> ® 深圳市兴万联电子有限公司 SHENZHEN XINGWANLIAN TECHNOLOGY CO.,LTD				DWG NO.	
					FILE: C	