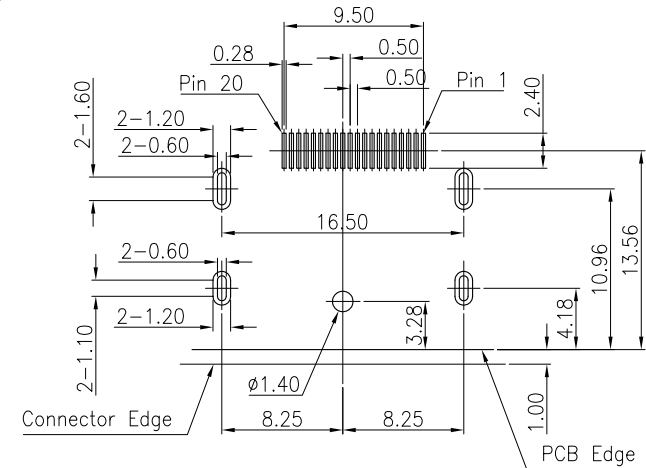
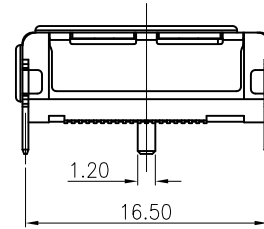
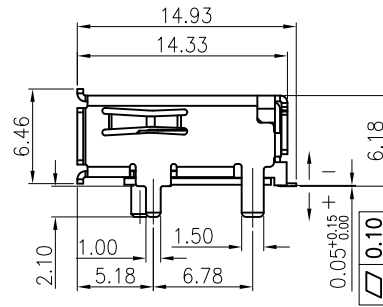
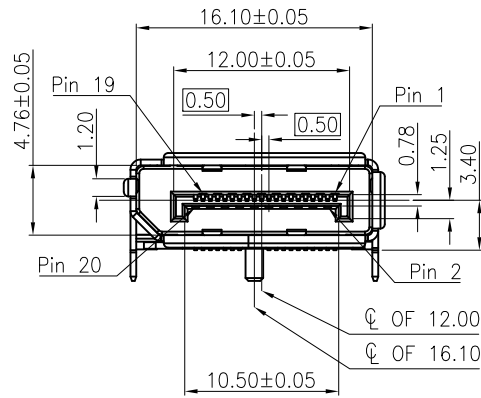
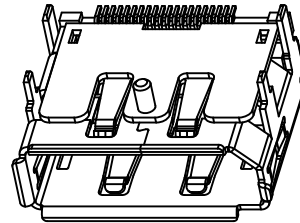
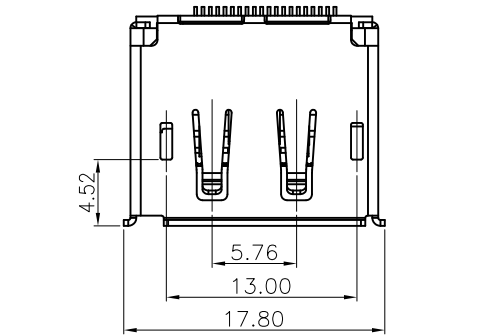


RoHS

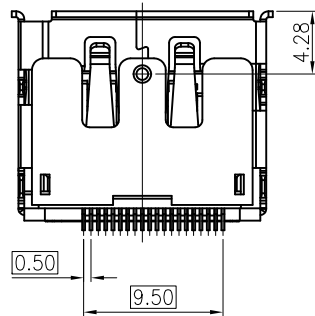
Mark	ECN NO.	DESCRIPTION	DESIGN	Date:
A	—	NEW	—	—

NOTE:

- Material:
 - Housing: Lcp,UL94V-0; Color: Black
 - Cover: Lcp,UL94V-0; Color: Black
 - Contact: Copper Alloy
 - Shell: Copper Alloy
- FINISH:
 - Contact: Au Plated on Contact Area, Matt Tin Plated on Solder Tails, Nickel Underplating Over All.
 - Shell: Nickel Underplating Over All.
- Specification:
 - Electrical:
 - Contact Current Rating: 0.5A
 - Insulation Resistance: 100MΩ Min.
 - Contact Resistance: 30 mΩ Max.
 - Dielectric Withstanding Voltage: 500V/AC 1Minute
 - Mechanical:
 - Mating Force: 4.5Kgf Max.
 - Unmating Force: 1.0Kgf~4.0Kgf
 - Durability: 10000 Cycles.



RECOMMENDED PCB LAYOUT
(THICKNESS=1.6±0.15mm)



Tolerance X.X ±0.30 X.XX ±0.25 X.XXX ±0.15 Angle ±2.0°	Model Name: DP SMT TYPE 有弹 单柱 后脚宽1.5 端子半金雾锡G.F PS载带包装				Drawing: PYP	
	Model No: WLDP-011B				Checked: YSX	
	UNIT:	SCALE:	REVISION:	SHEET	Approved: Lijian	
	mm	FULL	A	1/1	Date: 2016.10.10	
				WLCO 深圳市兴万联电子有限公司 SHENZHEN XINGWANLIAN TECHNOLOGY CO.,LTD		DWG NO.
				FILE: C		