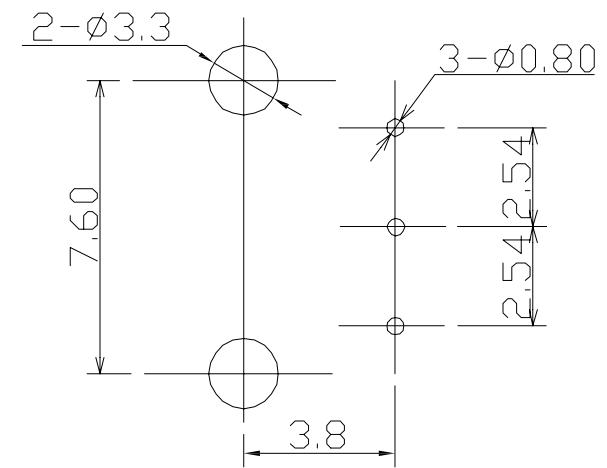
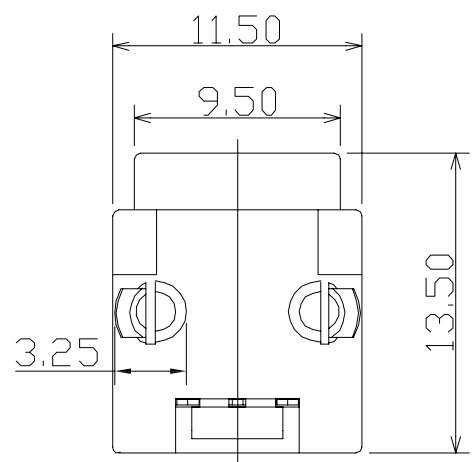
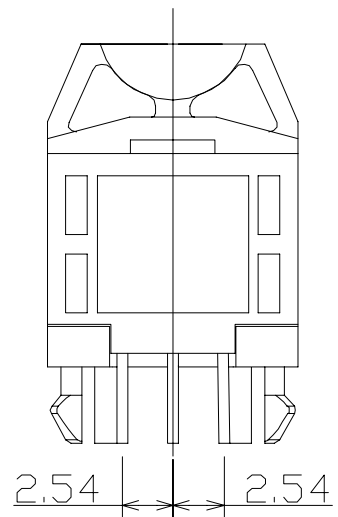
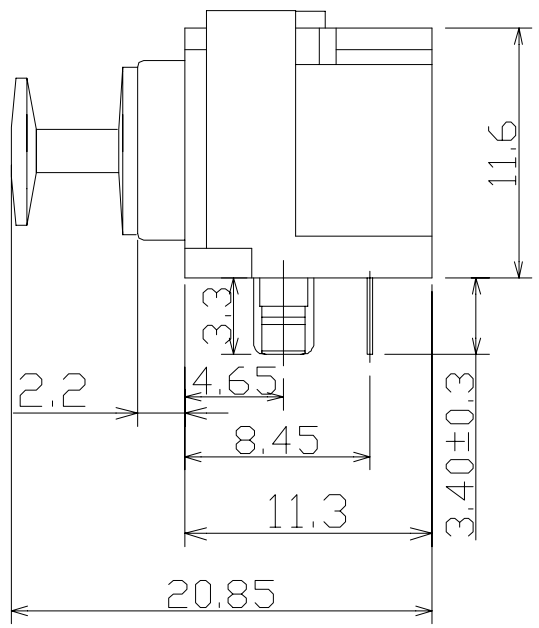
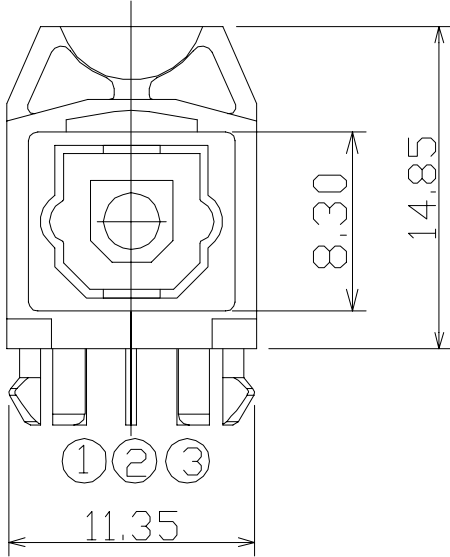


RoHS

Mark	ECN NO.	DESCRIPTION	DESIGN	Date:
A	—	New	—	—



- ① Vin
- ② Vcc
- ③ GND

SCALE 2:1

Recommended PCB Board Hole

Tolerance X.X ±0.30 X.XX ±0.25 X.XXX ±0.15 Angle ±2.0°	Model Name: 光纤发射接口 (DQT-004D)			Drawing: JQL
	Model No: WLAD-024A			Checked: Lijian
UNIT: mm SCALE: Full REVISION: A SHEET: 1/1	UNIT:	SCALE:	REVISION:	Approved: WEI JI YANG
	mm	Full	A	Date: 2013.12.27
	WLCO® 深圳市兴万联电子有限公司 SHENZHEN XINGWANLIAN TECHNOLOGY CO., LTD			DWG NO.
				FILE: C