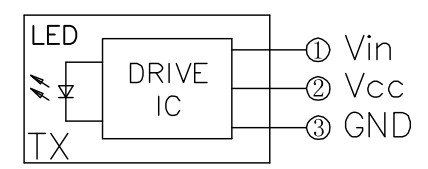
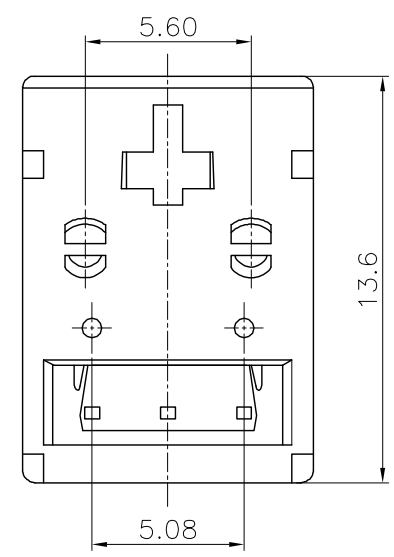
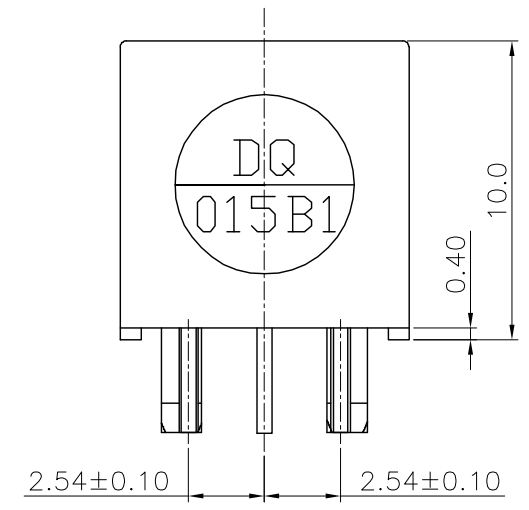
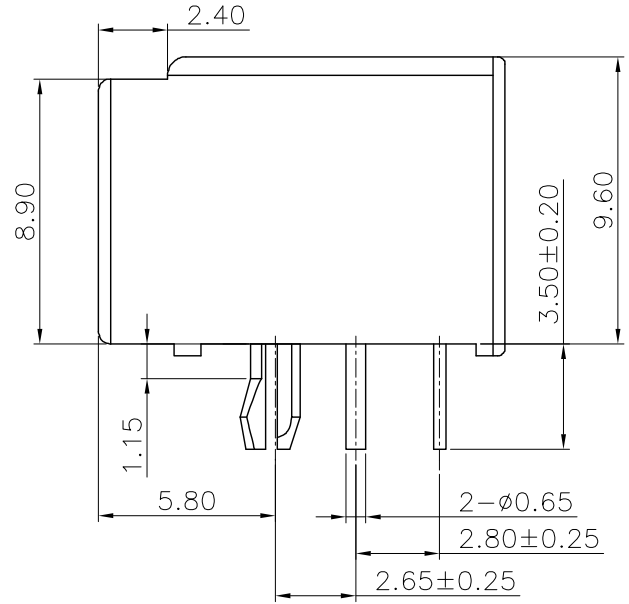
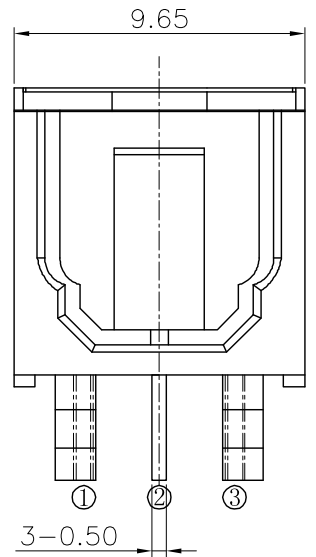
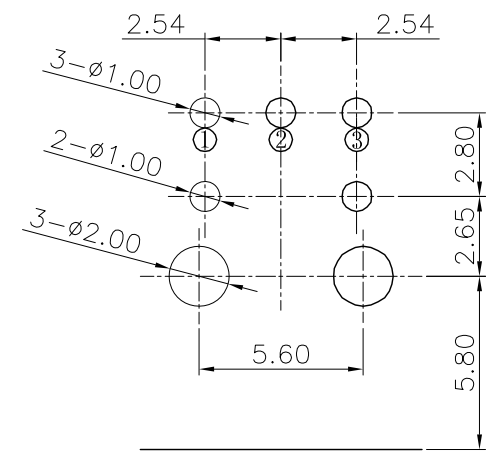


RoHS HF C环保

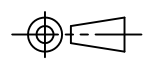

MARK	ECN NO.	DESCRIPTION	DESIGN	DATE
A	—	NEW	—	—



ELECTRONIC THEORY



Recommended PCB Layout

Tolerance X.X ±0.30 X.XX ±0.25 X.XXX ±0.15 Angle ±2.0°	Model Name: 光纤发射接口 (DQT-015B1)				Drawing: 黄海祥	
	Model No: WLAD-036A				Checked: 姚世宣	
mm	UNIT:	SCALE:	REVISION:	SHEET	Approved: 李建	
	FULL	A	1/1	Date: 2016.03.18		
	 深圳市兴万联电子有限公司 SHENZHEN XINGWANLIAN TECHNOLOGY CO, LTD				DWG NO.	
					FILE: C	