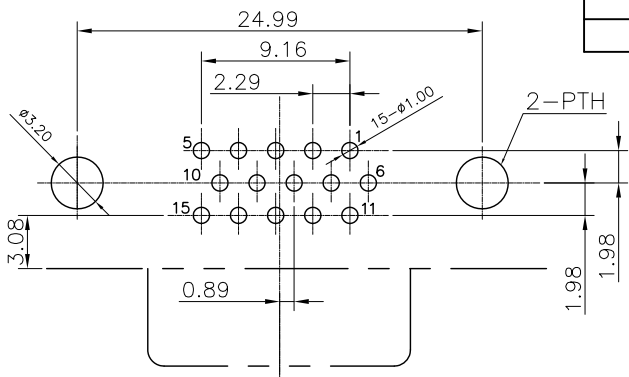
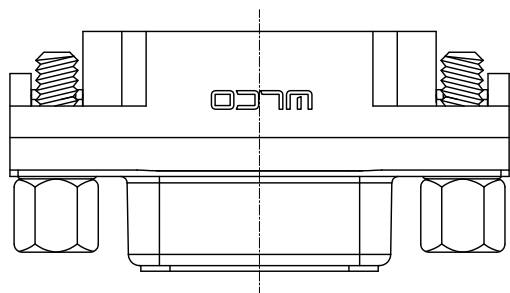


RoHS GP HF

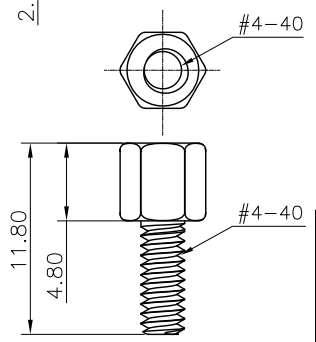
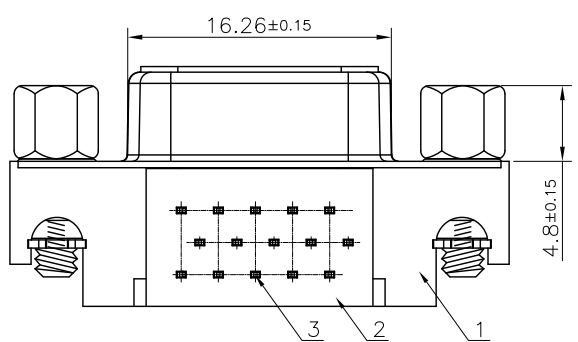
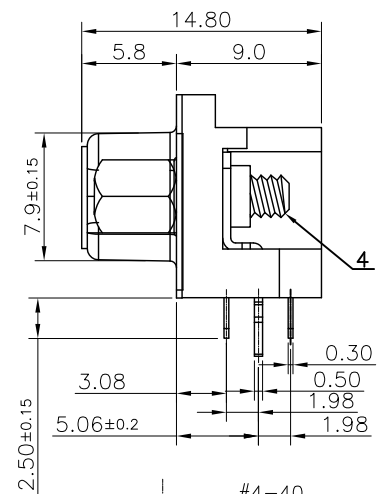
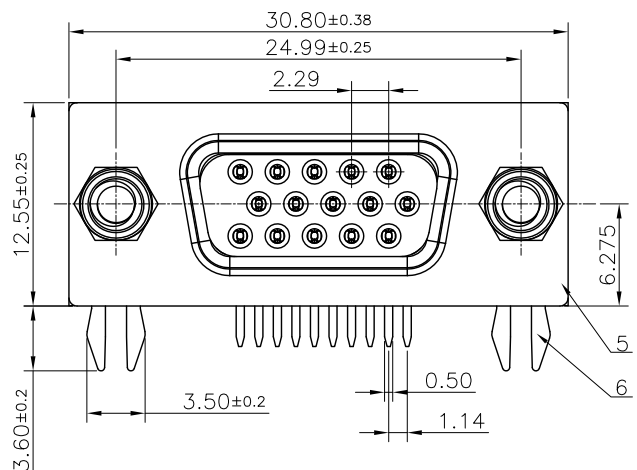
REV.	ECR/N NO.	DESCRIPTION	DRAWN	DATE
A	/	NEW	DENGJU	2020/03/23



RECOMMENDED P.C.B LAYOUT (COMONENT SIDE)  
 THICKNESS: 1.6mm (TOP VIEW) ) DEFAULT TOLERANCE ±0.05

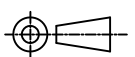
NOTES:

1. Material:
- 1.1 Housing: PBT Colour: Blue
  - 1.2 Cover: PBT Colour: Blue
  - 1.3 Contact: COPPER ALLOY
  - 1.4 Screw: 1215MS
  - 1.5 Shell: SPCC
  - 1.6 Boardlock: SPCC
2. PLATING:
- 2.1 Contact: Ni/Sn
  - 2.2 Screw: Cu/Ni
  - 2.3 Shell: Cu/Ni
  - 2.4 Boardlock: Cu/Ni/Sn
3. SPECIFICATION:
- 3.1 Contact Current Rating: 1 AMPS
  - 3.2 Contact Resistance: 30m Ohm Max
  - 3.2 Insulation Resistance: 1000M Ohm Min. AT 500V DC
  - 3.3 Dielectric Withstanding Volt: AC 500V(R.M.S)/1 minute
  - 3.4 Operation Temperature: -55°C - +105°C
  - 3.5 Insertion Force: 5.0Kgf Max
  - 3.6 Withdrawal Force: 1.5Kgf Min
  - 3.7 Durability: 1000 Cycles



Screw SPEC

TOLERANCE	MODEL NAME: 15#3.08直锁4.8 蓝胶不防火英插式 全铜针长2.5 SS鱼叉				DRAWN: DENGJU	
X.X ±0.35	MODEL NO: WLHD-344A				CHECKED: WUXIAOTAO	
X.XX ±0.25	UNIT:	SCALE:	REVISION:	SHEET	APPROVED: WUHUAMING	
X.XXX ±0.10	mm	1:1	A	1/1	DATE: 2020/03/23	
ANGLE ±2.0°	DWG NO:				FILE: C	



**WLCO** 深圳市兴万联电子有限公司  
 SHENZHEN XING WAN LIAN ELECTRONICS CO., LTD.