

RoHS GP HF

REV.	ECR/N NO.	DESCRIPTION	DRAWN	DATE
A		NEW	ChenLianHui	2020/04/14
B		Adjust Dimension Tolerance	WuXiaoTao	2021/06/30

NOTE:

1. MATERIAL:

- 1-1. HOUSING: LCP+30%G.F,UL94V-0; COLOR: BLACK;
- 1-2. 4PIN CONTACTS: COPPER ALLOY,T=0.20mm;
- 1-3. SHELL: SPCC,T=0.30mm

2. PLATING SPECIFICATION:

2-1. CONTACTS:

NI 50u" MIN. PLATED ON OVERALL. GOLD FLASH. PLATED ON THE FUNCTIONAL ARER OF CONTACT. SN 60u" MIN. PLATED ON SOLDER AREA.

2-2. SHELL:

NI 50u" MIN. PLATED ON OVERALL.

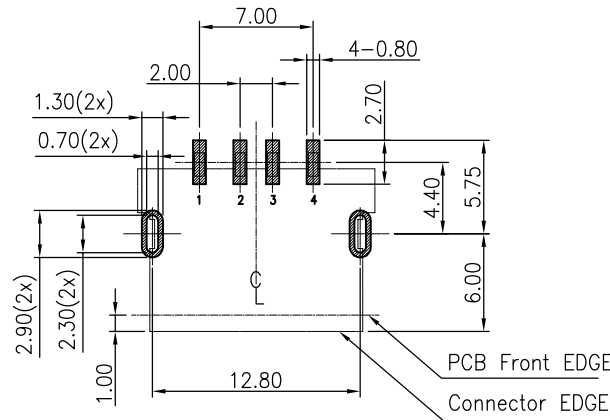
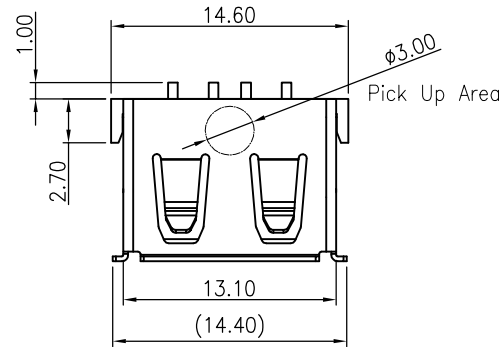
3. SPECIFICATION:

3-1. ELECTRICAL:

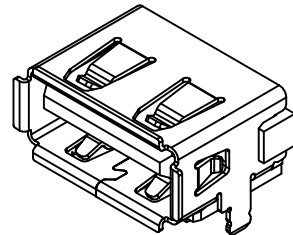
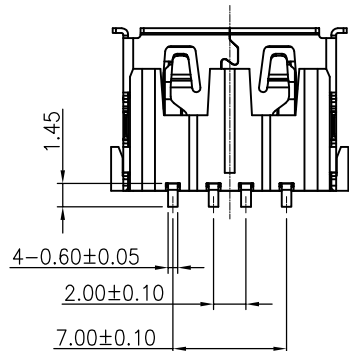
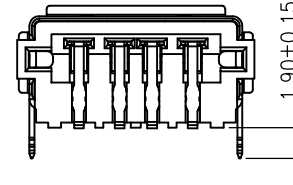
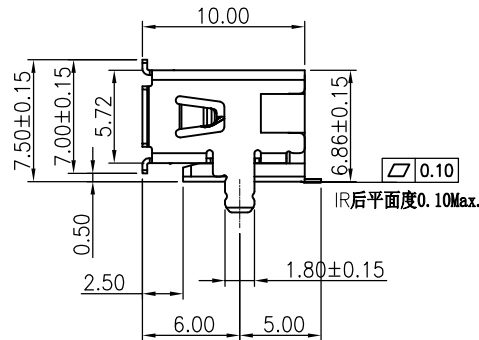
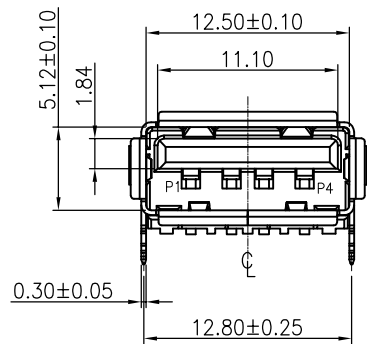
CONTACT CURRENT RATING: 1.5A
 INSULATION RESISTANCE: 1000MΩ MIN.
 CONTACT RESISTANCE: 30 mΩ MAX.
 DIELECTRIC WITHSTANDING VOLTAGE: AC 500V FOR 1MINUTE

3-2. MECHANICAL:

INSULATION FORCE: 3.57Kgf MAX.
 REMOVAL FORCE: 1.02Kgf MIN.,0.80Kgf MIN. AFTER DURABILITY
 DURABILITY: 1500 CYCLES



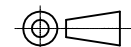
Recommended P.C.B Layout(Component Side)
 Thickness:1.60mm(Top View) Default Tol ±0.05



Pin Assignments

Pin Number	Signal Name
1	VBUS
2	D-
3	D+
4	GND
SHELL	Shield

TOLERANCE	MODEL NAME: 单层USB 2.0 A/F SMT TYPE 短体 LCP黑胶 端子2680 半金壳锡/P 端子脚SMT 外壳SPCC 窗口带卷边 不带LOGO C环保 载带包装	DRAWN:	WUXIAOTAO
X.X ±0.30	MODEL NO: WLUS-543E	CHECKED:	WUXIAOTAO
X.XX ±0.25	UNIT: mm	APPROVED:	WUHUAMING
X.XXX ±0.15	SCALE: 1:1	DATE:	2021/06/30
ANGLE ±2.0°	REVISION: B	DWG NO:	
	SHEET 1/1	FILE:	C



WLCO 深圳市兴万联电子有限公司
 SHENZHEN XING WAN LIAN ELECTRONICS CO.,LTD.